



**WEVER & DUCRÉ**  
LIGHTING

# ROOMOR TABLE 1.1

637120GG1

Project

Type

Notes

Quantity

Date

## GENERAL

Table , Standing

Tilt max 45°

Rotation 30°

Cement Grey

Mounting Cement Grey

RAL 7033 <sup>a</sup>

Shade Cement Grey + White Matt

IP20

Interior

Output: 495<sup>b</sup>, 540<sup>c</sup> lm

CIE flux code: 94 98 100 100 98

## LED

Lamp PAR16

Socket GU10

max. 15.0 W

2700 K<sup>b</sup>, 3000 K<sup>c</sup>

CRI ≥ 90

## OPTICAL

Shade 1.0 ,

UGR < 10

≥1500 cd/m<sup>2</sup>

## ELECTRICAL

100 - 240 V

LED Inset 6.5 W

Class 1

## PHYSICAL

Diameter 205 mm

Height 215 mm

2.35 kg

cable plug with hand switch

<sup>a</sup> Color may deviate slightly due to production conditions.

<sup>b</sup> PAR16 LAMP 2700K CRI90

<sup>c</sup> PAR16 LAMP 3000K CRI90

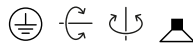
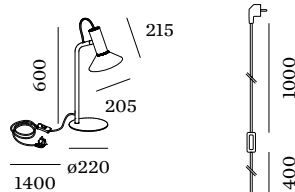
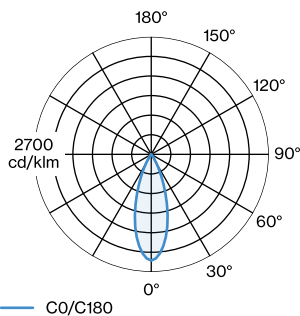


Table luminaire made from aluminium; surface Cement Grey wet painted; matt texture; RAL 7033; cable plug with hand switch; shade Cement Grey + White Matt; wet painted; matt texture; lamp socket GU10; lamp type PAR16; max. 15W; 100 - 240 V; 30° rotatable and 45° tiltable; degree of protection IP20; PC1; lamp not included;



## LIGHT DISTRIBUTION





WEVER & DUCRÉ  
LIGHTING

# ROOMOR TABLE 1.1

637120GG1

## LAMPS

### PAR16 LED Lamp

TYPE	COLOUR	Ø · H (MM)	ORDERCODE
2700K   >90 CRI   GU10	Black	∅50-60	9 0 1 2 2 8 B 3
3000K   >90 CRI   GU10	Black	∅50-60	9 0 1 2 2 8 B 5
2700K   >90 CRI   GU10	White	∅50-60	9 0 1 2 2 8 W 3
3000K   >90 CRI   GU10	White	∅50-60	9 0 1 2 2 8 W 5
2700K   >80 CRI   GU10	Silver	∅50-60	9 0 5 2 2 7 S 2
3000K   >80 CRI   GU10	Silver	∅50-60	9 0 5 2 2 7 S 4